

# PRODUCT DATA SHEET



## PRODUCT CODE

VR322DF

## RANGE

VERGE

## DESCRIPTION

Verge Bath Filler Brushed Brass

MIN. PRESSURE 1.0 Bar

MAX. PRESSURE 5.0 Bar

PRESSURE (BAR) FLOWRATE

LOW 0.2 16

MID 0.5 25.1

1 36

2 50

HIGH 3 62

4 73

COLOUR Brushed Brass

MATERIAL Brass

FINISH APPLICATION PVD

INSTALLATION TYPE Deck Mounted

STANDARDS EN 200:2008

HEADWORK 3/4" Quarter Turn  
Ceramic Cartridge

INLET CONNECTIONS THREAD G3/4"

FLOW REGULATOR M24x1 Screw Housing

TAP HOLES 1

APPROVALS KIWA - 2109731

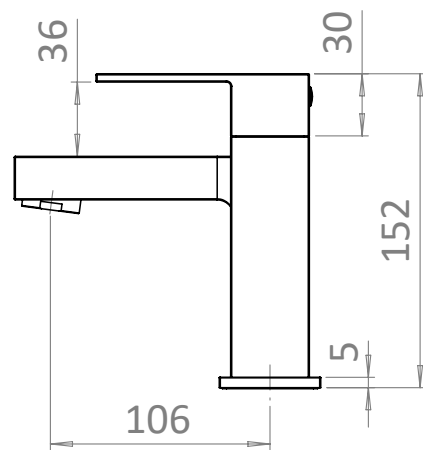
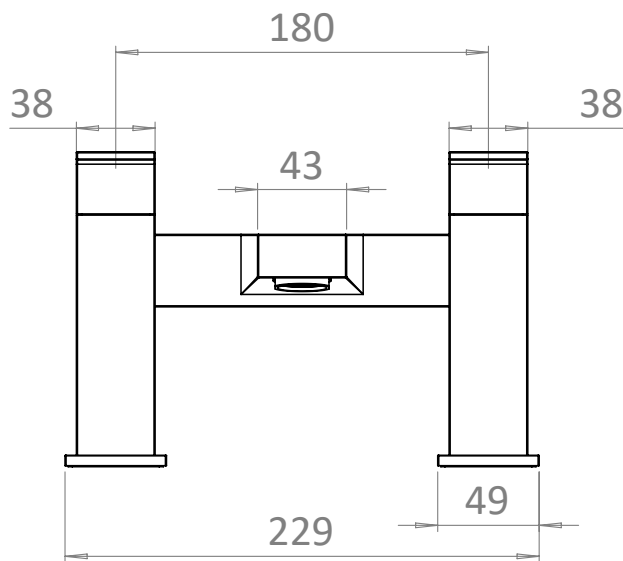
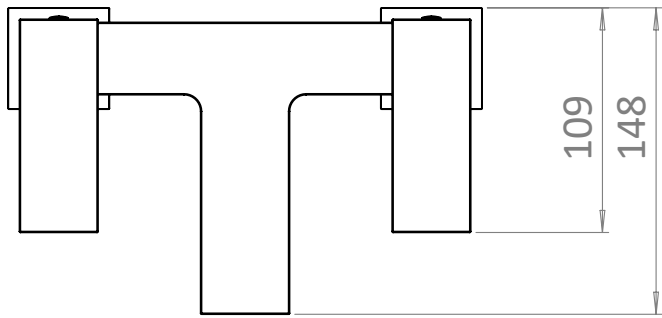
WEIGHT 3.25kg

WARRANTY 15 Years

## TECHNICAL DIMENSIONS

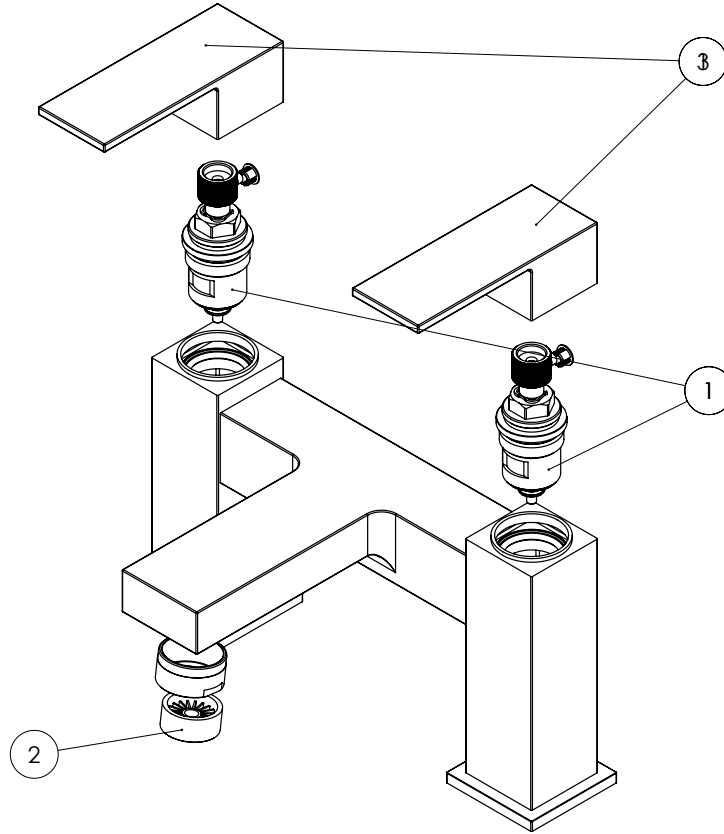
Dimensions in mm unless otherwise specified.

Tolerances (per material type) apply.



V10922

## SPARES DIAGRAM



NUMBER	PART CODE	DESCRIPTION
1	A031210500	VR322 & 422 Cartridge
2	A031211200	VR322/422DC Chrome Aerator
	A031211201	VR322/422DM Matt Black Aerator
	A031211202	VR322/422DF Brushed Brass Aerator
	A031211203	VR322/422DV Brushed Stainless Steel Effect Aerator
3	A031210400	VR322 & 422DC Chrome Lever
	A031210401	VR322 & 422DM Matt Black Lever
	A031210402	VR322 & 422DF Brushed Brass Lever
	A031210403	VR322 & 422DV Brushed Stainless Steel Effect Lever

Only the parts labelled are available as spares.

V10922