

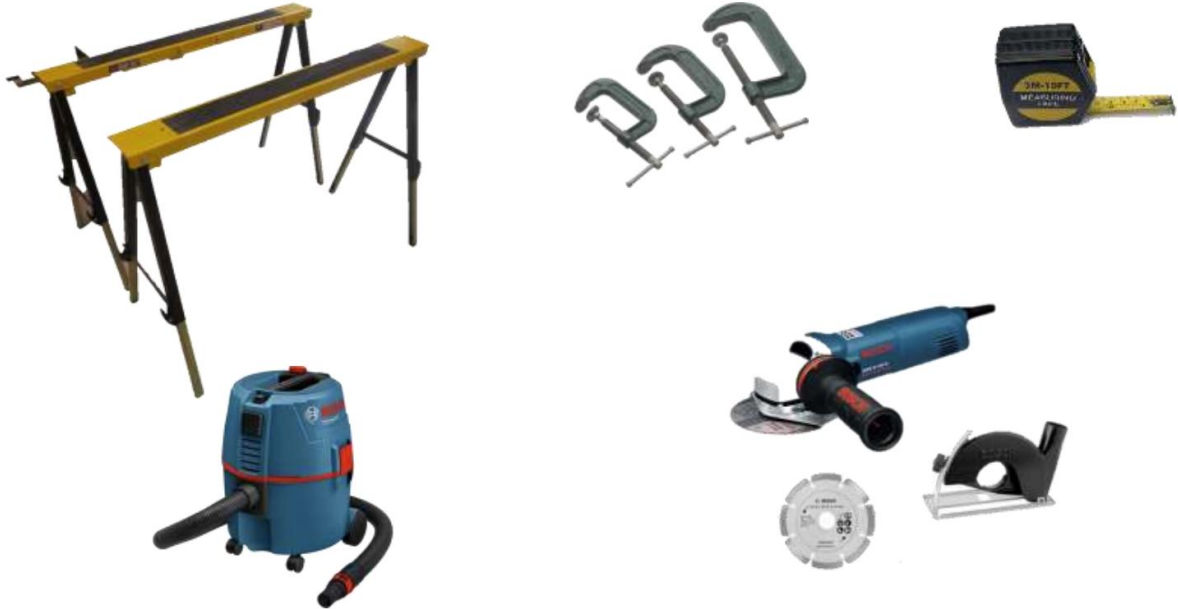
**nicos international**

**DRAFT**

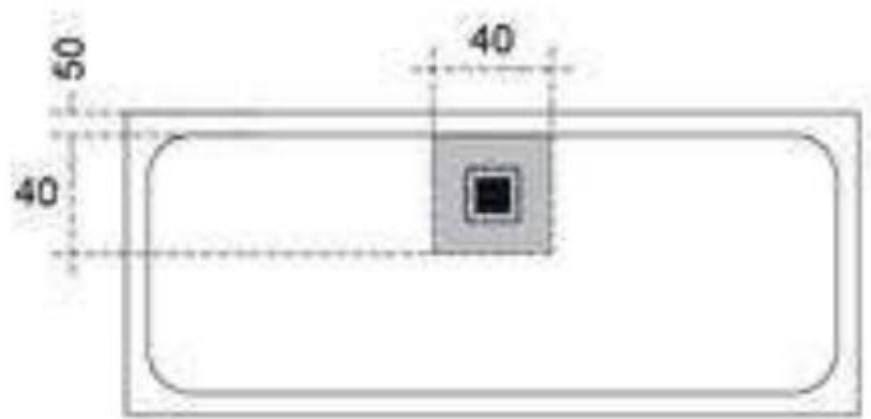
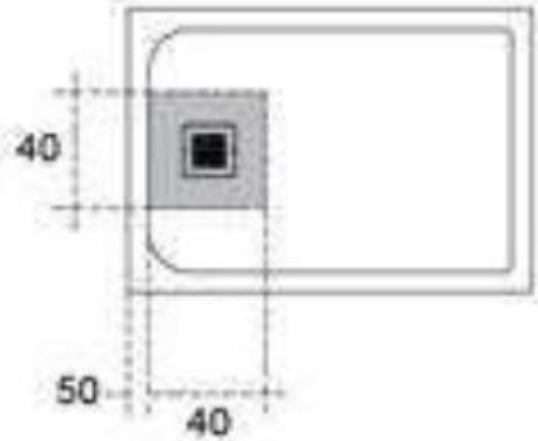
How to cut a shower tray



always use the safety devices  
necessary for the work to be  
performed

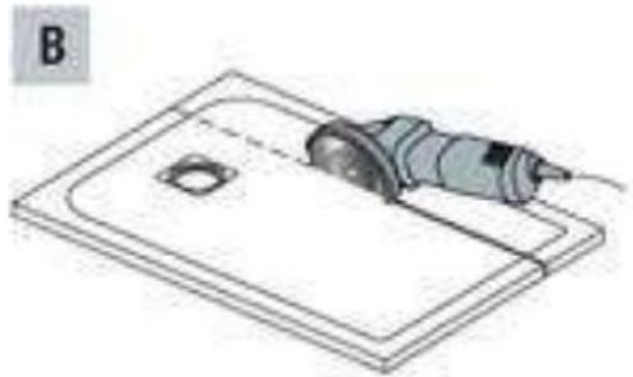
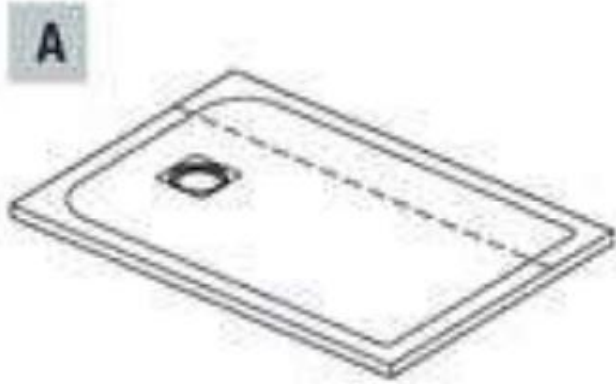


commonly used tools  
for installers  
(tiler or plumber):  
Easels, clamps, meter, tile  
cutter, vacuum cleaner.

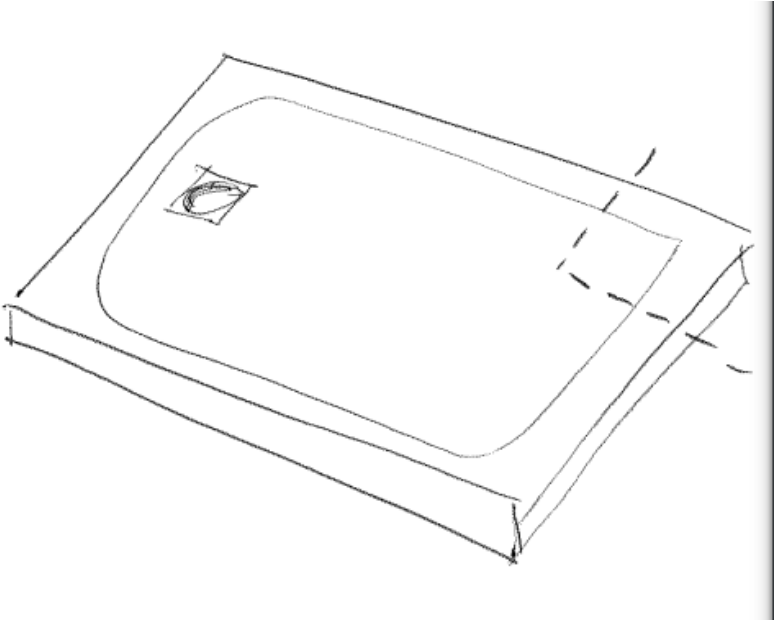
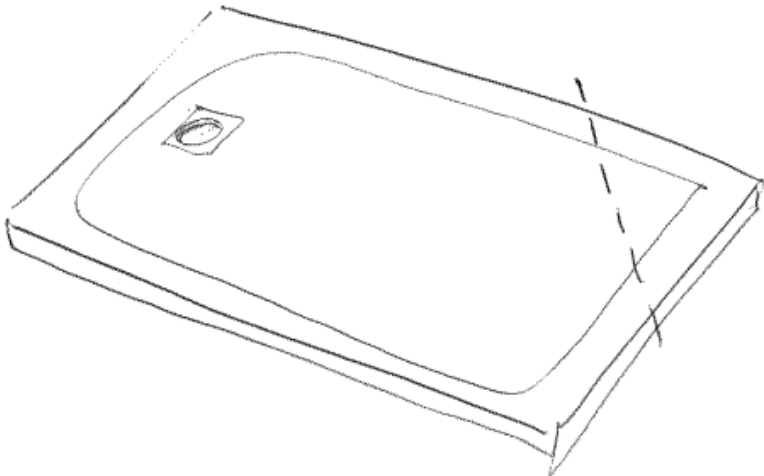


with the exception of the areas highlighted in gray, the entire surface of the shower tray can be cut

(not cuttable area: 40x40 cm area around the drain)



the installer must mark the cutting line with a pencil (A) and then with a tile cutter, cut off the excess (B)



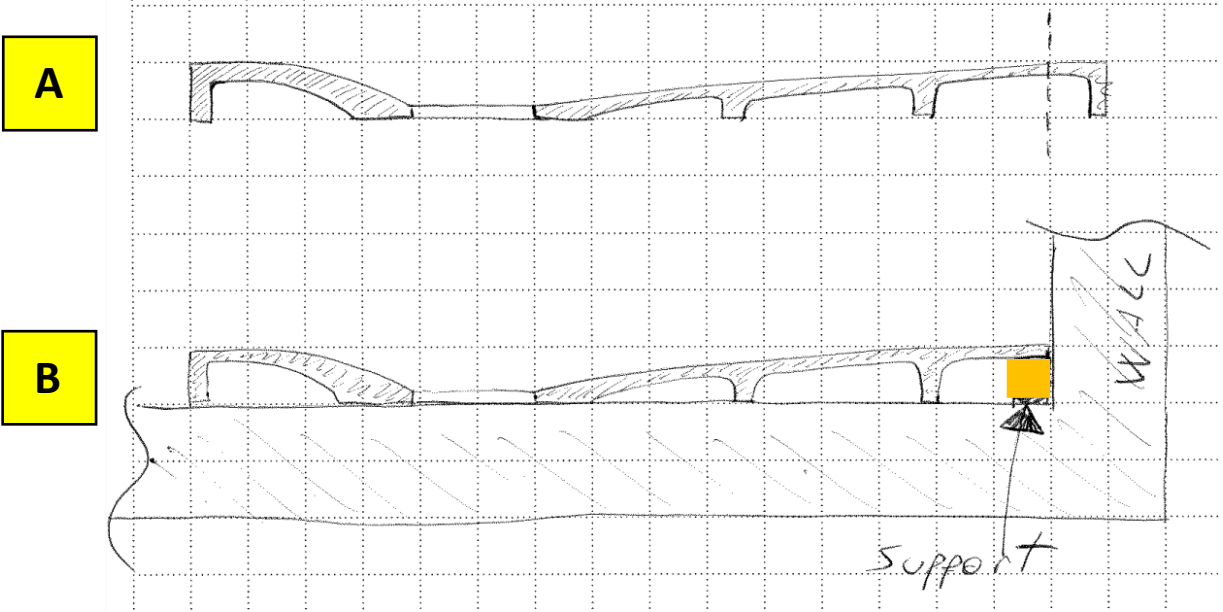
Obviously, inclined cuts at an angle and also skewed cuts are possible, due to the presence of any columns in the house



after cutting and before installation, carefully sand the cut edges with sandpaper to slightly round the edges







In the case of installation of cut shower trays (A), the installer must put a support/thickness so that the weight can be unloads to the floor (B).

The support generally used in construction is given by a cut brick and concrete, depending on the needs of the desired height.

This is a basic operation for all installer or plumber.

Now you understand how a shower tray is cut on site.

Now just follow the basic instructions to install a normal shower tray.

Thank you.