

# SPECIFICATION SHEET

COLLECTION: CAMEO  
PRODUCT CODE: CAM-F800-NO



## COLLECTION NAME

Cameo

## FINISH

Natural Oak

## GUARANTEE

6 Year Guarantee

## FURNITURE TYPE

Vanity Unit

## SIZE

800mm

## MOUNTING

Wall Mounted

## DRAWERS

2 Drawers

## CLOSE/OPEN SYSTEM

2 Quick Release, Soft Close Drawers

## FIXING LOCATION

100mm from top of unit

tel: 01934 744466  
email: [sales@vado.com](mailto:sales@vado.com)  
[www.vado.com](http://www.vado.com)

WHERE INSPIRATION FLOWS  
TAPS | SHOWERS | ACCESSORIES



# SPECIFICATION SHEET

COLLECTION: CAMEO  
PRODUCT CODE: CAM-F800-NO

## SPACE SAVING SOLUTION

Bottle trap cut out in top drawer

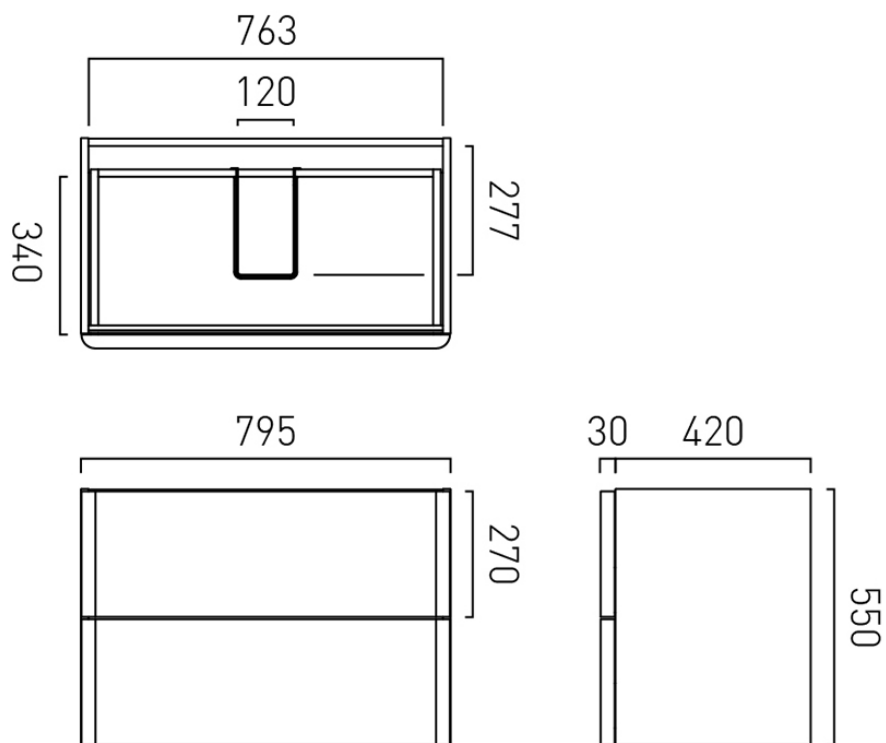
## NOTES

Use dimension from the chosen basin to align waste centres



# TECHNICAL DRAWING

COLLECTION: CAMEO  
PRODUCT CODE: CAM-F800-NO



tel: 01934 744466  
email: sales@vado.com  
www.vado.com

WHERE INSPIRATION FLOWS  
TAPS | SHOWERS | ACCESSORIES

